



(12) EUROPEAN PATENT APPLICATION

(43) Date of publication:
 15.12.1999 Bulletin 1999/50

(51) Int. Cl.⁶: G06F 3/16, G04G 1/00

(21) Application number: 98304510.5

(22) Date of filing: 08.06.1998

(84) Designated Contracting States:
 AT BE CH CY DE DK ES FI FR GB GR IE IT LI LU
 MC NL PT SE
 Designated Extension States:
 AL LT LV MK RO SI

(72) Inventor: Huang, Hsien-Ting
 Nei-Hu Area, Taipei (TW)

(74) Representative:
 Needle, Jacqueline
 W.H. BECK, GREENER & CO
 7 Stone Buildings
 Lincoln's Inn
 London WC2A 3SZ (GB)

(71) Applicant: Huang, Hsien-Ting
 Nei-Hu Area, Taipei (TW)

(54) Voice-controlled timing and calculating device

(57) A voice-controlled timing and calculating device includes a microphone to receive a user's vocal signal, a voice amplifier amplifying the vocal signal, a comparison circuit comparing the vocal signal with information stored in a memory to retrieve an associated instruction, a processor performing the instruction of serving as a timer or a calculator to generate a result, and a voice synthesizer which converts the result from

the processor into a synthetic voice which is then broadcast by a speaker so that the device may be operated with vocal input and vocal output. Further, the device may be provided with visual display to show the result of the processor. Also, a manually actuateable switch may be provided to allow a user to alternatively switch the processor between the timer and the calculator.

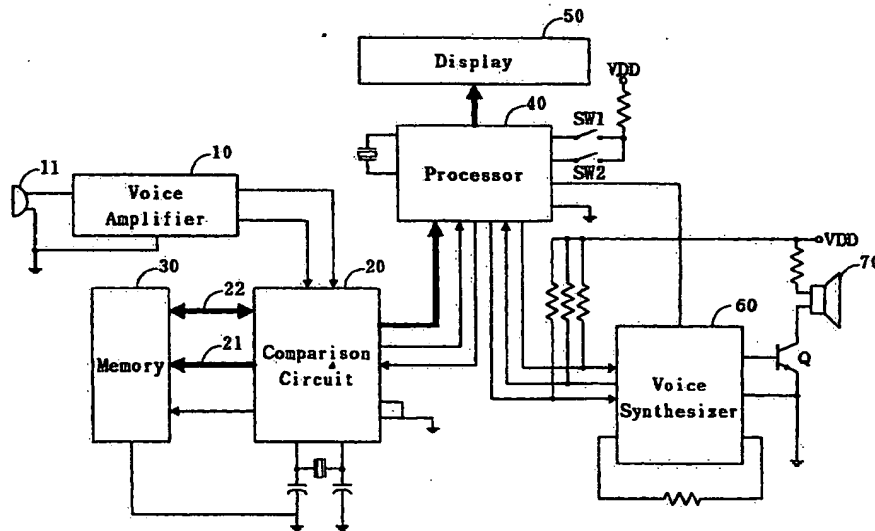


FIG. 2

Best Available Copy

EP 0 964 331 A1

Description**FIELD OF THE INVENTION**

[0001] The present invention relates generally to a voice controlled timing and calculating device and in particular to a timing and calculating device which receives input in vocal form to perform calculation and timing operations and also provide output in vocal so that no actuation of pushbuttons of keys is needed and a more user-friendly environment may be obtained especially for the visually disabled people.

BACKGROUND OF THE INVENTION

[0002] Conventional calculators or computing devices are usually provided with keys or push buttons to serve as a user-interface, allowing the user to input the desired instruction and/or data. Such an arrangement is quite inconvenient for users who have to key in a number of digits to perform a number of operations have to switch their eye sights between the calculator keys and the list of the figures to be keyed in. Furthermore, such a computing device is in general not user-friendly to the visually disabled people.

[0003] On the other hand, timing devices, such as electronic watch, is also controlled by means of push-buttons, especially in setting the time on the timing device. This is of course to some extent inconvenient for users, especially in a dark environment. Certainly, it is not user-friendly for the visually disable people.

[0004] Thus, it is desirable to provide a voice-controlled timing and calculating device of which the input and output may be performed vocally so as to overcome the problems encountered in the prior art.

SUMMARY OF THE INVENTION

[0005] Therefor, an object of the present invention is to provide a voice-controlled timing and calculating device which receives vocal inputs from a user to perform the desired operation and then provides output in both visual and vocal forms.

[0006] Another object of the present invention is to provide a voice-controlled timing and calculating device which allows a user to operate the device without hand touching the device.

[0007] To achieve the above objects, in accordance with the present invention, there is provided a voice-controlled timing and calculating device comprising a microphone to receive a user's vocal signal, a voice amplifier amplifying the vocal signal, a comparison circuit comparing the vocal signal with information stored in a memory to retrieve an associated instruction, a processor performing the instruction of serving as a timer or a calculator to generate a result, and a voice synthesizer which converts the result from the processor into a synthetic voice which is then broadcast by a

speaker so that the device may be operated with vocal input and vocal output. Further, the device may be provided with visual display to show the result of the processor. Also, a manually actuateable switch may be provided to allow a user to alternatively switch the processor between the timer and the calculator.

BRIEF DESCRIPTION OF THE DRAWINGS

[0008] The present invention will be better understood from the following description of a preferred embodiment thereof, with reference to the attached drawings, wherein:

Fig. 1 is a perspective view showing a voice-controlled timing and calculating device constructed in accordance with a preferred embodiment of the present invention; and

Fig. 2 is a circuit diagram of the voice-controlled timing and calculating device of the present invention.

DETAILED DESCRIPTION OF THE PREFERRED EMBODIMENT

[0009] With reference to the drawings and in particular to Fig. 1, wherein a voice-controlled timing and calculating device constructed in accordance with the present invention is shown, the voice-controlled timing and calculating device of the present invention comprises a casing inside which a circuit (see Fig. 2), preferably in the form of a printed circuit board, is disposed. The circuit performs two major tasks, calculation and timing, which may be manually switched by actuating switch SW1 provided on the casing. A second switch SW2 is provided to allow user to manually set the timer function of the circuit.

[0010] A microphone 11 is provided on the casing and in electrical connection with the circuit for transmitting user's vocal instruction or input to the circuit. A display 50 is provided in connection with the circuit to visually display desired information, such as the result of arithmetic calculation operation or the current time. Also, a speaker 70 is provided in connection with the circuit to broadcast the output, such as the result of arithmetic operation or time, of the device.

[0011] With reference to Fig. 2, the circuit of the voice-controlled timing and calculating device of present invention comprises a voice amplifier 10 which amplifies the user's vocal signal received at the microphone 11 and provides an amplified signal to a comparison circuit 20 which may be in the form of an IC (integrated circuit). The comparison IC 20 compares the amplified vocal signal with information stored in a memory 30 to determine the meaning of the vocal signal and thus obtain a machine meaningful signal which includes instruction and/or data form the information stored in the memory

30 via address bus 21. The machine meaningful signal so retrieved from the memory 30 by the comparison circuit 20 is transferred to a processor 40 via data bus 22.

[0012] In accordance with a preferred embodiment of the present invention, a training process may be conducted at the first time when the voice-controlled timing and calculating device is used. By performing the training process, the user may store his or her voice in the memory 30 so that at the next use of the voice-controlled timing and calculating device, the comparison IC 20 may perform a correct comparison between the received vocal signal and the user's voice that is stored in the memory 30 and thus a correct operation may be performed.

[0013] Alternatively, the voice information that is stored in the memory 30 may be built therein in advance by means of electronic coding process. (The electronic coding technique is well known and constitutes no novel part of the present invention so that no detail is needed herein.) Under this situation, no training process is needed.

[0014] The processor 40 that receives the machine meaningful signal via the data bus 22 performs the desired operation, such as arithmetic operation or timing operation, instructed by the signal. The result of the processor 40 is output to the display 50 which may be a liquid crystal display and a voice synthesizer IC 60 that generates synthetic voice to be broadcast by the speaker 70 so that the operation result of the processor 40 is displayed both visually and vocally. As mentioned above, the switch SW1 which performs switching operation between the timing function and the calculating function of the processor 40 is connected to the processor 40 to allow the user to manually switch between these two functions. The switch SW2 that allows the user to perform timer setting operation is also in connection with the processor 40.

[0015] The voice synthesizer IC 60 that converts the operation result of the processor 40 into synthetic voice is in connection with the speaker 70 via a transistor Q which amplifies the output of voice synthesizer IC 60 to provide a suitable signal to the speaker 70.

[0016] Although in the preferred embodiment illustrated in Fig. 1, the voice-controlled timing and calculating device of the present invention is embodied in a rectangular casing, it is also possible to use a different outline of the timing and calculating device, such as a pen so that the pen, besides the writing function, also provides the functions of calculator and timer.

[0017] The operation of the voice-controlled timing and calculating device is rather straightforward. For example, in powering on, the device checks if there is built-in information in the memory 30. If there is no such information, then in order to properly understand the user's voice signal, a training process has to be conducted. The training process allows the user to store the instructions and data which are needed in the subsequent operation of the voice-controlled timing and cal-

culating device in the memory 30. Those instructions/data may include "calculator", "timer", digits 0-9, arithmetic operation symbols ("+", "-", "x", "=") and so forth. Once these instructions/data are completely stored in the memory 30, the device may then be ready to receive instructions from the user.

[0018] When the user instructs the timing and calculating device into the timer function and actuates the timer setting switch SW2 to enter the timer setting mode, then the display 50 blinks, showing ready to receive timer setting instruction. The user may then speak the desired digit to the microphone 11 by following the position of a cursor on the display 50. The vocal signal of the digit that is received by the microphone 11 is amplified by the voice amplifier 10 and passed to the comparison IC 20 and the processor 40 which in turn gives an instruction to show the digit on the display 50 at the position indicated by the cursor. The cursor is then moved by the processor 40 to the next position and the device is ready to receive the next digit from the user. Once the timer setting operation is completed, the device automatically goes back to the normal timing operation and shows the time on the display 50.

[0019] In the normal timing operation, the user may use the switch SW1 or give a vocal instruction through the microphone 11 to switch to the calculator function in which the user may give calculation instruction and data to perform the calculation to the device via the microphone 11. The comparison IC 20 provides the instruction and data to the processor 40 and processor 40 performs the operation once a calculation starting signal is received and provides the result to the display 50 and the voice synthesizer IC 60 so that the result may be displayed both visually and vocally.

[0020] For example, in order to perform the arithmetic operation "12 x 27+195=", the user may read the digit and symbol in sequence so that the microphone 11 sequentially transmits the digit and symbol to the processor 40. Once the processor 40 receives the symbol "=", it starts the calculation operation. The equal sign "=" serves as the calculation starting signal in this case.

[0021] An idle time period is pre-established so that when the processor 40 in the calculator function receives no instruction for time interval greater than the idle time period, the processor 40 automatically goes back to the timer function.

[0022] Further, in order to know the time information, the user may directly observe the display 50 or alternatively, the user may give a vocal instruction, such as "time" to the device via the microphone 11 and the processor 40 may then control the speaker 70 to broadcast the current time which is synthesized in the voice synthesizer IC 60.

[0023] The present invention provides a measure that allows two functions to be performed by a single piece of device. The device of the present invention provides not only visual display but also a vocal output so that it is particularly suitable for those visually disabled peo-

ple. Quite obviously, the idea of using voice as input and output means of a device may be extended to devices of other functions, such as electrical appliance for example radio, washing machine so that a more friendly environment especially for the visually disabled people may be established.

[0024] Although the a preferred embodiment has been described to illustrate the present invention, it is apparent that changes and modifications in the specifically described embodiment can be carried out without departing from the scope of the invention which is intended to be limited only by the appended claims.

Claims

1. A voice-controlled timing and calculating device, comprising:

a microphone adapted to receive a vocal signal from a user;

a voice amplifier circuit which receives the vocal signal from the microphone, amplifies the vocal signal and generates an amplified signal;

a memory storing information of operation instruction and data;

a comparison circuit receives the amplified signal from the voice amplifier circuit, compares the amplified signal with the information stored in the memory to retrieve a portion of the information including instructions and data corresponding to the vocal signal from the memory;

a processor circuit which receives said portion of the information including instructions and data from the comparison circuit and selectively performs a calculation operation and a timing operation in response to the instruction and based on the data of said portion of the information and provides an operation result;

a voice synthesizer circuit which receives the operation result from the processor circuit and converts the operation result into synthetic voice; and

a speaker for broadcasting the synthetic voice.

2. The device as claimed in Claim 1, further comprising a display which receives and visually displays the operation result.

3. The device as claimed in Claim 1, further comprising a first manually actuateable switch in connection with the processor circuit to switch between the timing operation and the calculation operation.

4. The device as claimed in Claim 3, further comprising a second manually actuateable switch for initiating a timer setting operation when the processor is performing timing operation.

5. The device as claimed in Claim 1, wherein said portion of the information comprises a switching instruction which instructs the processor circuit to switch between the timing operation and the calculation operation.

6. The device as claimed in Claim 5, wherein the processor circuit has a predetermined calculator idle time which, where exceeded under the situation where the processor circuit is in the calculation function, switches the processor circuit from the calculation function to the timing operation.

7. A voice-controlled timing and calculating device, comprising: a microphone adapted to receive a vocal signal from a user;

a voice amplifier circuit which receives the vocal signal from the microphone, amplifies the vocal signal and generates an amplified signal; a memory;

means for detecting existence of information stored in the memory;

means for establishing information into the memory in response to and based on the reception of vocal signal from a user when no existence of information is detected in the memory;

a comparison circuit receives the amplified signal from the voice amplifier circuit, compares the amplified signal with the information stored in the memory to retrieve a portion of the information including instructions and data corresponding to the vocal signal from the memory;

a processor circuit which receives said portion of the information including instructions and data from the comparison circuit and selectively performs a calculation operation and a timing operation in response to the instruction and based on the data of said portion of the information and provides an operation result;

a voice synthesizer circuit which receives the operation result from the processor circuit and converts the operation result into synthetic voice; and

a speaker for broadcasting the synthetic voice.

8. A method for vocally setting a timer which comprises a display having a plurality of digits including to display an old time controlled by a processing circuit to a new time, the processing circuit comprising a vocal signal receiving means which receives an external vocal signal and converts the vocal signal into an electronic signal including an timer setting instruction and numeric digits to the processing circuit, the timer setting instruction switching the processing circuit between a time display mode in which the display shows the time and a timer setting

mode, the method comprising the steps of:

- (a) receiving a vocal signal of the timer setting instruction by means of the vocal signal receiving means to switch the circuit from the time display mode to the timer setting mode; 5
- (b) the processing circuit indicating ready at a first digit of the old time;
- (c) receiving a numeric digit of the new time by means of the vocal signal receiving means and replacing a corresponding digit of the old time with said numeric digit of the new time which is vocally received; 10
- (d) the processing circuit moving to a next digit of the old time and repeating step (c) until the processing circuit reaches a last digit of the old time; and 15
- (e) the processing circuit resuming the time display mode. 20

9. The method as claimed in Claim 8, wherein the vocal signal receiving means comprises a microphone adapted to receive a vocal signal from a user and a converting circuit to convert the vocal signal to the electronic signal to the processing circuit. 25

10. The method as claimed in Claim 8, wherein the indicating step (b) comprises blinking the digit.

11. The method as claimed in Claim 8, wherein the timer comprises a speaker in connection with the processing circuit and wherein the indicating step (b) comprises vocally indicates, by means of the speaker, that the processing circuit is at the digit. 30 35

12. A method for vocally operating a calculator which comprises vocal signal receiving means adapted to receive vocal signals from a user, a processing circuit for performing calculation operation instructed by the user's vocal signals and an output means to provide a result of the calculation to the user, the method comprising the steps of: 40

- (a) providing a vocal signal representing a formula to be calculated to the calculator by means of the vocal signal receiving means to enter the formula to be calculated into the calculator; 45
- (b) vocally providing a start calculation signal to the calculator via the vocal signal receiving means to initiate the processing circuit to perform the calculation of the formula and obtain a result; and 50
- (c) the processing circuit reporting the result via the output means. 55

13. The method as claimed in Claim 12, wherein the step (a) of providing the vocal signal to the calcula-

tor further comprises the steps (1) of vocally providing a confirm request signal to the calculator to have the processing circuit confirm the formula by means of the output means and (2) selectively vocally providing a correction request signal to the calculator to have the calculator correct the entered formula in accordance with a vocal signal of a new formula to be calculated provided following the correction request signal.

14. The method as claimed in Claim 12, wherein the vocal signal receiving means comprises a microphone adapted to receive the vocal signal from the user and a converting circuit to convert the vocal signal to the electronic signal to the processing circuit..

15. The method as claimed in Claim 12, wherein the output means comprises a visual display device in connection with the processing circuit.

16. The method as claimed in Claim 13, wherein the output means comprises a voice synthesizer in connection with the processing circuit and a speaker connected thereto.

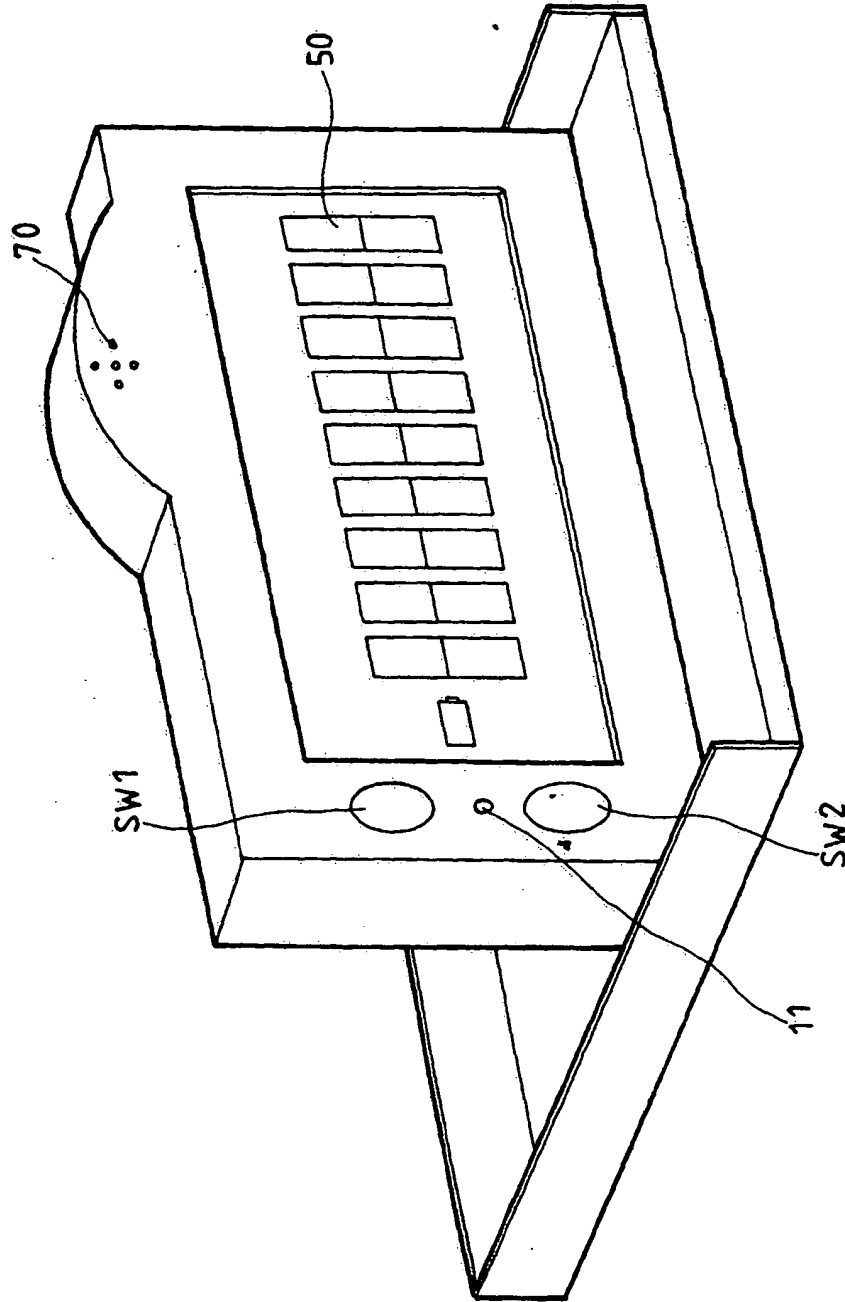


FIG.1

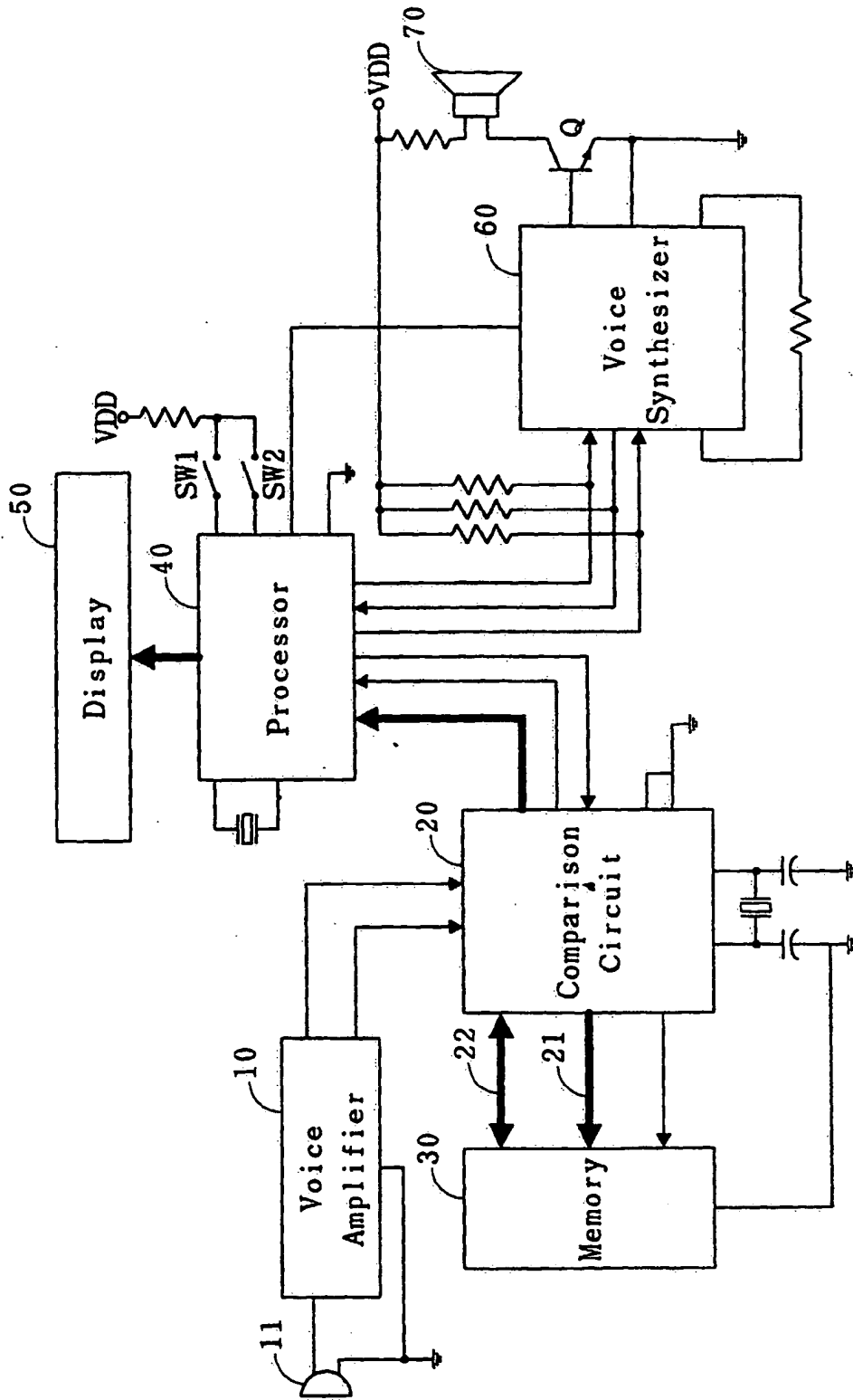


FIG. 2



European Patent Office

EUROPEAN SEARCH REPORT

Application Number
EP 98 30 4510

DOCUMENTS CONSIDERED TO BE RELEVANT			
Category	Creation of document with indication, where appropriate, of relevant passages	Relevant to claim	CLASSIFICATION OF THE APPLICATION (Int.Cl. 6)
Y	EP 0 212 759 A (LELY NV C VAN DER) 4 March 1987 * column 2, line 3 - column 3, line 9 * * column 4, line 12 - line 37 * * column 5, line 1 - line 7 * * column 6, line 5-11; figures 1,7,8 *	1-7,12, 14,15	G06F3/16 G04G1/00
A		8-11,13, 16	
Y	GB 2 255 425 A (CHAN MING KUN) 4 November 1992 * the whole document *	1-7,12, 14,15 11,16	
X	"CALCULATOR FOR THE VISUALLY IMPAIRED" IBM TECHNICAL DISCLOSURE BULLETIN, vol. 37, no. 1, 1 January 1994, page 141 XPO00428723	12-16	
A	* page 141, paragraph 2 - page 141, paragraph 3 *	1,7	
X	US 4 635 286 A (BUI NGOC C ET AL) 6 January 1987 * column 3, line 1 - column 4, line 2 * * column 18, line 35 - column 28, line 32; figures 1,10,11 *	8-11 1,7	TECHNICAL FIELDS SEARCHED (Int.Cl.6) G06F G04G G10L
X	"ANNOUNCEMENT" SPEECH TECHNOLOGY, MAN-MACHINE VOICE COMMUNICATIONS, vol. 4, no. 3, 1 September 1988, pages 90-93, XPO00110770	12-16	
A	* page 91, left-hand column, paragraph 1 - right-hand column, paragraph 4 *	1,7	
A	DE 297 13 054 U (IMPEX HANDELSGESELLSCHAFT MBH) 6 November 1997 * page 3, line 15 - page 6, line 16 *	1,7-11	
The present search report has been drawn up for all claims			
Place of search THE HAGUE		Date of completion of the search 24 November 1998	Examiner Moens, R
CATEGORY OF CITED DOCUMENTS		T theory or principle underlying the invention E earlier patent document, but published on, or after the filing date D document cited in the application L document cited for other reasons & member of the same patent family, corresponding document	
X particularly relevant if taken alone Y particularly relevant if combined with another document of the same category A technological background O non-written disclosure P intermediate document			

EPO FORM 1503 03 02 (P/4/01)

ANNEX TO THE EUROPEAN SEARCH REPORT
ON EUROPEAN PATENT APPLICATION NO.

EP 98 30 4510

This annex lists the patent family members relating to the patent documents cited in the above-mentioned European search report. The members are as contained in the European Patent Office EDP file on The European Patent Office is in no way liable for these particulars which are merely given for the purpose of information.

24-11-1998

Patent document cited in search report	Publication date	Patent family member(s)	Publication date
EP 0212759 A	04-03-1987	NL 8502959 A US 4882685 A	16-03-1987 21-11-1989
GB 2255425 A	04-11-1992	NONE	
US 4635286 A	06-01-1900	CH 645501 A DE 3226842 A DE 3226929 A FR 2510277 A FR 2510795 A JP 58026291 A JP 58025700 A US 4573187 A	15-10-1984 10-02-1983 10-02-1983 28-01-1983 04-02-1983 16-02-1983 15-02-1983 25-02-1986
DE 29713054 U	06-11-1997	NONE	

EPO FORM P0459

For more details about this annex see Official Journal of the European Patent Office, No. 12/82

**This Page is Inserted by IFW Indexing and Scanning
Operations and is not part of the Official Record**

BEST AVAILABLE IMAGES

Defective images within this document are accurate representations of the original documents submitted by the applicant.

Defects in the images include but are not limited to the items checked:

- BLACK BORDERS
- IMAGE CUT OFF AT TOP, BOTTOM OR SIDES
- FADED TEXT OR DRAWING
- BLURRED OR ILLEGIBLE TEXT OR DRAWING
- SKEWED/SLANTED IMAGES
- COLOR OR BLACK AND WHITE PHOTOGRAPHS
- GRAY SCALE DOCUMENTS
- LINES OR MARKS ON ORIGINAL DOCUMENT
- REFERENCE(S) OR EXHIBIT(S) SUBMITTED ARE POOR QUALITY
- OTHER: _____

IMAGES ARE BEST AVAILABLE COPY.

As rescanning these documents will not correct the image problems checked, please do not report these problems to the IFW Image Problem Mailbox.